

Imagine.

**DVE**  
Digital Value Engineering

**Roland**<sup>®</sup>

DESKTOP IMPACT PRINTER  
METAZA Series **MPX-90**

## Explore New Business Opportunities with our Most Powerful, Versatile Impact Printer Ever

Roland's MPX-90 desktop impact printer is a powerful personalization device for applications ranging from industrial marking to jewelry engraving. With the ability to imprint both flat and curved surfaces across a wide range of materials, the MPX-90 is Roland's most versatile impact printer to date. The MPX-90 offers 2.5 times the imprinting power of previous models to create exceptionally sharp text, monograms, graphics and photos on metallic surfaces. A new work table design allows you to mark items of virtually any length. The MPX-90 beautifully personalizes jewelry, dog tags, key chains and pens and is among the industry's most cost effective industrial marking tools for serial number plates, data plates and more. Designed for ease of use, the MPX-90 fits on your desktop and comes complete with design software.



Celebrate special occasions with unique personalized gifts your customers will cherish.



Transform ordinary items into one-of-a-kind mementos.



Quickly produce high-quality serial number plates at a low running cost.



### A Unique Way to Add Text, Monograms and Photos

Based on the Roland Photo Marking System (RPMS), the MPX-90 uses a durable diamond-tipped stylus to imprint on a wide range of surfaces including harder metals such as iron, titanium, stainless steel, gold, silver and platinum. It can also be used to imprint resins including acrylic. This innovative system strikes the surface to be marked with high speed and precision to reproduce the most delicate gradations of your original design. The MPX-90 does not burn or remove material on impact for a clean operation free of odor and debris. No daily maintenance is required.

\*HV hardness of a material must not exceed 200. Some shapes cannot be imprinted. Test materials for best results.

### Imprint Both Small and Large Items

The MPX-90 features a work area of 80mm x 80mm (3.1" x 3.1") and accepts items as thick as 40mm (1.5"). Its redesigned work table allows you to insert items of virtually any length. The MPX-90 includes a center vise to secure pens and other round items onto the work table.

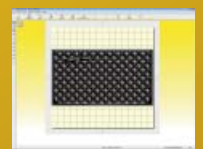


### Add Text and Graphics with High Speed and Precision

The MPX-90 is a high-speed imprinting device supporting four imprinting modes: Text mode, Photo mode, High Density mode for detailed letters and illustrations, and Vector mode for linear letters and outlines. With 2.5 times the imprinting force of the previous model, the MPX-90 can imprint even the smallest text and images clearly on textured surfaces.

### Includes Easy-to-Use Design Software

The MPX-90 comes with METAZA Studio, easy-to-use design software for great results. METAZA Studio accepts artwork, designs and photos from a wide variety of sources including digital cameras, mobile phones, bmp, jpg or Adobe<sup>®</sup> Illustrator<sup>®</sup> 7/8 ai or eps files. With the MPX-90, you can choose from a selection of TrueType fonts or create your own single-stroke or fill fonts. For added impact, you can wrap text around an arched line or the contours of your design. Dr. Engrave software uses variable data created in txt. or csv files to produce serial number plates for product identification and tracking.



**Specifications**

<b>Imprintable material</b>	Gold, silver, copper, platinum, brass, aluminium, iron, stainless steel, etc. (Vickers hardness [HV] of the printing surface must be 200 or less.)
<b>Loadable material size</b>	Maximum 100 mm (width) x 200 mm (length) x 40 mm (thickness), or 200 mm (width) x 100 mm (length) x 40 mm (thickness) (3.9 in. x 7.9 in. x 1.5 in.), or (7.9 in. x 3.9 in. x 1.5 in.)
<b>Printing area</b>	80 mm x 80 mm (3.1 in. x 3.1 in.)
<b>Resolution</b>	529 dpi (High resolution), 353 dpi (Photo), 265 dpi (Text), 1058 dpi (Vector)
<b>Printing direction</b>	Unidirectional printing or bidirectional printing (Selectable with Windows driver)
<b>Printing speed (Default)</b>	50 mm/sec (1.9 in./sec) (Photo), 33 mm/sec (1.2 in./sec) (High resolution/Text), 24 mm/sec (0.94 in./sec) (Vector)
<b>Connectivity</b>	USB (compliant with Universal Serial Bus Specification Revision 1.1)
<b>Power requirements</b>	Dedicated AC adapter: AC 100V to 240V ±10% 50/60Hz Machine: DC19V 1.6A
<b>Power consumption</b>	Approx. 24W
<b>Acoustic noise level</b>	Under 70 dB (A)
<b>Environmental</b>	Temperature: 10 to 30°C (50 to 86°F), Humidity: 35 to 80% (no condensation)
<b>Dimensions</b>	286 mm (W) x 383 mm (D) x 308 mm (H) (11.3 in. (W) x 15.1 in. (D) x 12.2 in. (H))
<b>Weight</b>	10.8 kg (23.8 lb.)
<b>Included items</b>	AC adapter, power cord, head caps, center vise, adhesive sheet, test-use printing material, USB cable, Roland software CD-ROM, and user's manual, etc.

**System requirements for included software: METAZA Studio**

<b>Operating system</b>	Windows® 7 Professional (32-bit or 64-bit); Windows Vista® Ultimate (32-bit), Business (32-bit or 64-bit) or Home Premium (32-bit); Windows® XP Home Edition or Professional
<b>CPU</b>	At least Pentium 4 3.0 GHz or more recommended
<b>RAM</b>	At least 512MB or more recommended
<b>Video card and monitor</b>	At least 16 bit colors (High Color) with a resolution of 800 x 600 or more recommended
<b>Free hard-disk space</b>	25MB
<b>Optical drive</b>	CD-ROM drive

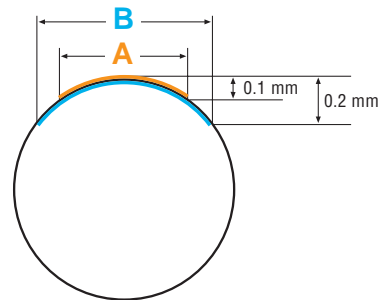
**Options**

	<b>Model</b>	<b>Description</b>
<b>Head unit and head caps for replacement</b>	MPH-90	Head unit x 1 and head caps x 4 pcs.
<b>Cap head for replacement</b>	CAP-HEAD MPX-90	5 pcs.

**Conditions when imprinting curved surfaces**

Choose material when imprinting on a curved surface taking into consideration the following limitations. These figures show the imprinting area possible for a curved surface and the area that the marking pin can reach with respect to the diameter of the cylinder when the head cap is attached to the head unit. However, these limitations do not assure the quality of the photographic image.

Diameter of cylindrical material	Recommended printable area (A)	Area reached by the marking pins (B)
10 mm (0.3 in.)	2.0 mm (0.079 in.)	2.8 mm (0.11 in.)
20 mm (0.7 in.)	2.8 mm (0.11 in.)	4.0 mm (0.16 in.)
30 mm (1.1 in.)	3.4 mm (0.14 in.)	4.8 mm (0.19 in.)



Roland DG products that feature this environmental label meet the company's criteria for environmental consciousness, a set of standards based on ISO 14021 self-declaration type II. For more information, please visit [www.rolanddg.com](http://www.rolanddg.com).



**ISO 14001:2004 and ISO 9001:2008 Certified**

Roland pursues both environmental protection and continuous quality improvement. Under the philosophy of preserving the environment and human health, Roland is actively working to abolish organic solvents in production, to reduce and recycle waste, to reduce power use, and to purchase recycled products. Roland constantly strives to provide the most highly reliable products available.



Roland reserves the right to make changes in specifications, materials or accessories without notice. Your actual output may vary. For optimum output quality, periodic maintenance to critical components may be required. Please contact your Roland dealer for details. No guarantee or warranty is implied other than expressly stated. Roland shall not be liable for any incidental or consequential damages, whether foreseeable or not, caused by defects in such products. All trademarks are the property of their respective owners. Roland DG Corp. has licensed the MMP technology from the TPL Group.